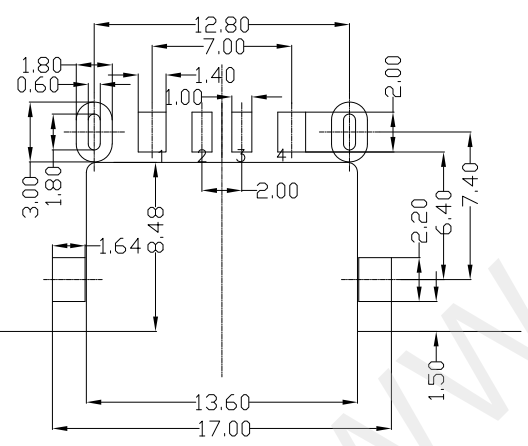



NOTE:

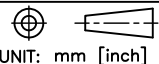
1. MATERIAL:
 - 1.1 INSULATOR:LCP UL 94V-0
 - 1.2 CONTACT:BRONZE (T=0.20mm)
 - 1.3 SHELL:SUS304 (T=0.30mm)
2. ELECTRICAL CHARACTERISTICS:
 - 2.1 CONTACTRESISTANCE:30mΩ MAXIMUM
 - 2.2 CONTACT CURRENT RATING:1.5A
 - 2.3 DIELECTRIC WITHSTANDING VOLTAGE:500 V R. M. S.
 - 2.4 INSULATION RESISTANCE 1000 MEGOHMS MIN
 - 2.5 OPERATING TEMPERATURE:-40° C ~ 85° C
3. MECHANICAL CHARACTERISTICS:
 - 3.1 MATING FORCE:3.57kg MAX
 - 3.2 UNMATED FORCE:1.02kg MIN
 - 3.3 DURABILITY:MANDATORY:5,000 CYCLES
4. PLATING
 - 4.1 TERMINAL:
 - 50u" MIN NICKEL ALL OVER
 - 100u"MIN Tin ON SOLDER AREA
 - (1~30)u"Au ON CONTACT AREA
 - 4.2 SHELL:100u"MIN. NICEL ALL OVER



Pin NUMBER	SIGNAL NAME
1	VBUS
2	D-
3	D+
4	GND
Shell	Shield



深圳市华宇创精密电子有限公司

TOLERANCE: X.X ±0.30 X.XX ±0.25 X.XXX ±0.15 X: ±2° X.X° ±0.5°	DRAWN BY : 陈一鸣	DATE : 2014-02-23	PART NAME: USB AF 沉板上2.06 端子SMT 无卷边
	CHECKED BY: 马跃	DATE : 2014-02-23	PART NO. HVC358-USBA04-206
 UNIT: mm [inch] SCALE:1:1 SIZE: A4	APPROVED BY: 邱敏	DATE : 2014-02-23	DRAW NO: HVC-2604281445
			SHEET NO. 1 OF 1